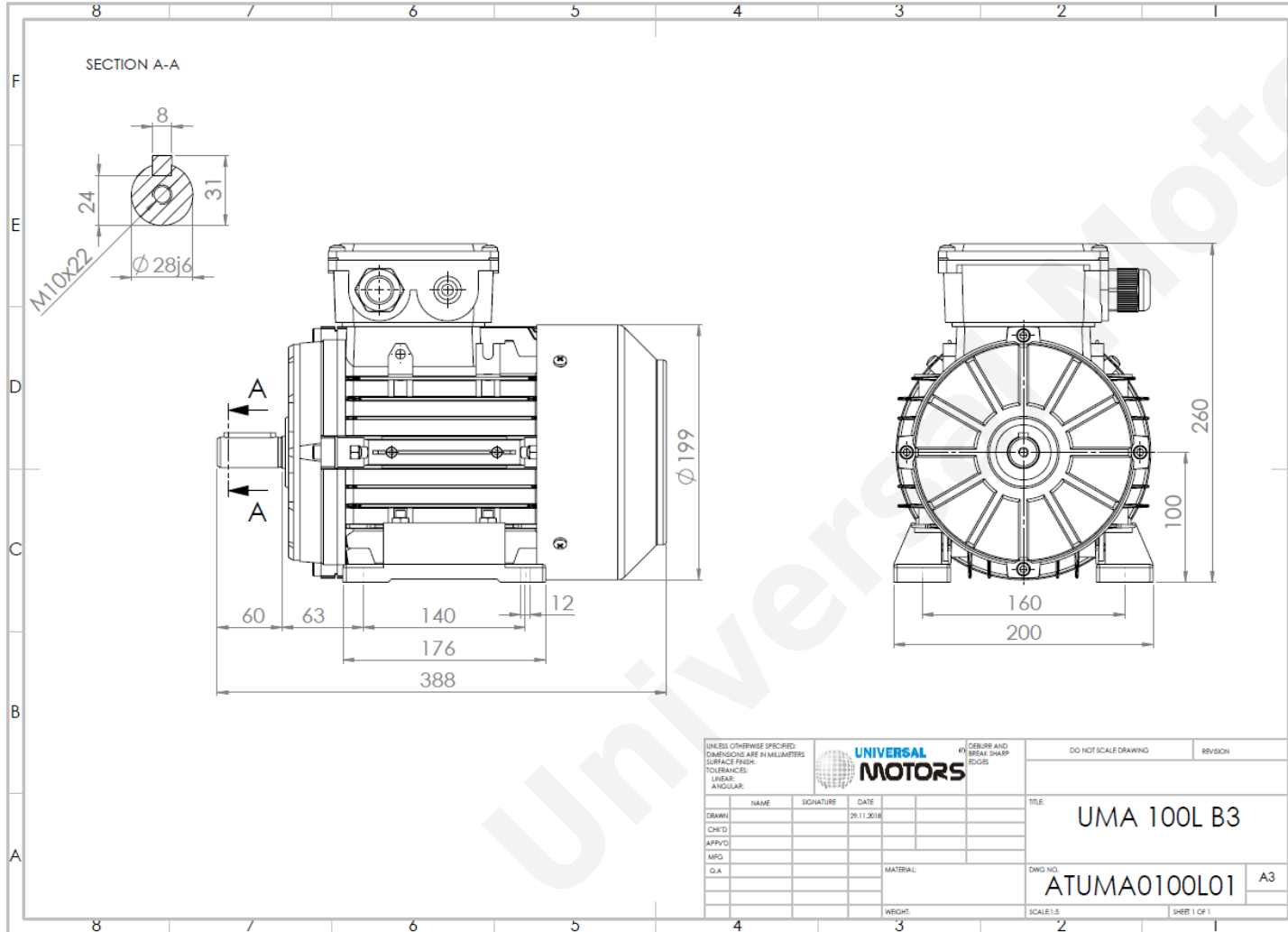




# TECHNICAL DATA

Three Phase Electric Motors - Aluminum Frame  
 UM2A 100L1-6  
 2.2 kW / 3 Cv  
 950 RPM



Motor type:	<b>UM2A 100L1-6</b>
Output:	<b>2.2 kW / 3 Cv</b>
Speed (min <sup>-1</sup> ):	<b>950 RPM</b>
Frequency:	<b>50 Hz</b>
Voltage:	<b>400 V</b>
Current:	<b>5.39 A</b>
Power factor (Cos Ø):	<b>0.72</b>
Poles:	<b>6</b>
Insulation class:	<b>F</b>
Temperature rise Class:	<b>B</b>
Efficiency 50%:	<b>81.1 %</b>
Efficiency 75%:	<b>82.6 %</b>
Efficiency 100%:	<b>81.8 %</b>
Torque:	<b>22.1 N.m</b>
Tstarting/Tnominal:	<b>2.5</b>
Istarting/Inominal:	<b>5.5</b>
Tmaximum/Tnominal:	<b>2.7</b>
Noise:	<b>64 Db(A)</b>
Weight:	<b>25.0 Kg</b>
Brake AC:	<b>AC5</b>
Torque Brake DC:	<b>32 N.m</b>
Bearing DE:	<b>6206 2Z</b>
Bearing NDE:	<b>6206 2Z</b>
Torque Brake AC:	<b>40 N.m</b>
Brake DC:	<b>REB-05-12</b>

UNLESS OTHERWISE SPECIFIED: DIMENSIONS ARE IN MILLIMETERS SURFACE FINISH: TOLERANCES: LINEAR: ANGULAR:				UNIVERSAL MOTORS		#1 DEBURR AND BREAK SHARP EDGES		DO NOT SCALE DRAWING		REVISION	
NAME	SIGNATURE	DATE			TITLE:		UMA 100L B3				
DRAWN		29.11.2018			DWG NO.:		ATUMA0100L01		A3		
CHK'D					SCALE:		1:1		SHEET 1 OF 1		
APP'VD					WEIGHT:						
MRG											
Q.A.											

Regime - S1

Altitude - 1000m

Environment Temperature - 40°C

## CONTACTS:

UNIVERSAL MOTORS Tel: +351 252 299 080  
 Rua de São Brás,745 Fax: +351 252 299 089  
 4480-782 VILA DO CONDE Mail: [geral@universalmotors.pt](mailto:geral@universalmotors.pt)

\* References applied only in the UK